

ES-PDS-ES32F0334-V1.1

V1.1

Table of contents

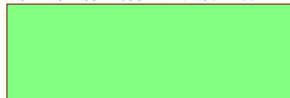
Sheet 1: Project overview (this page)

Sheet 2: ES-PDS-ES32F0334-V1.1

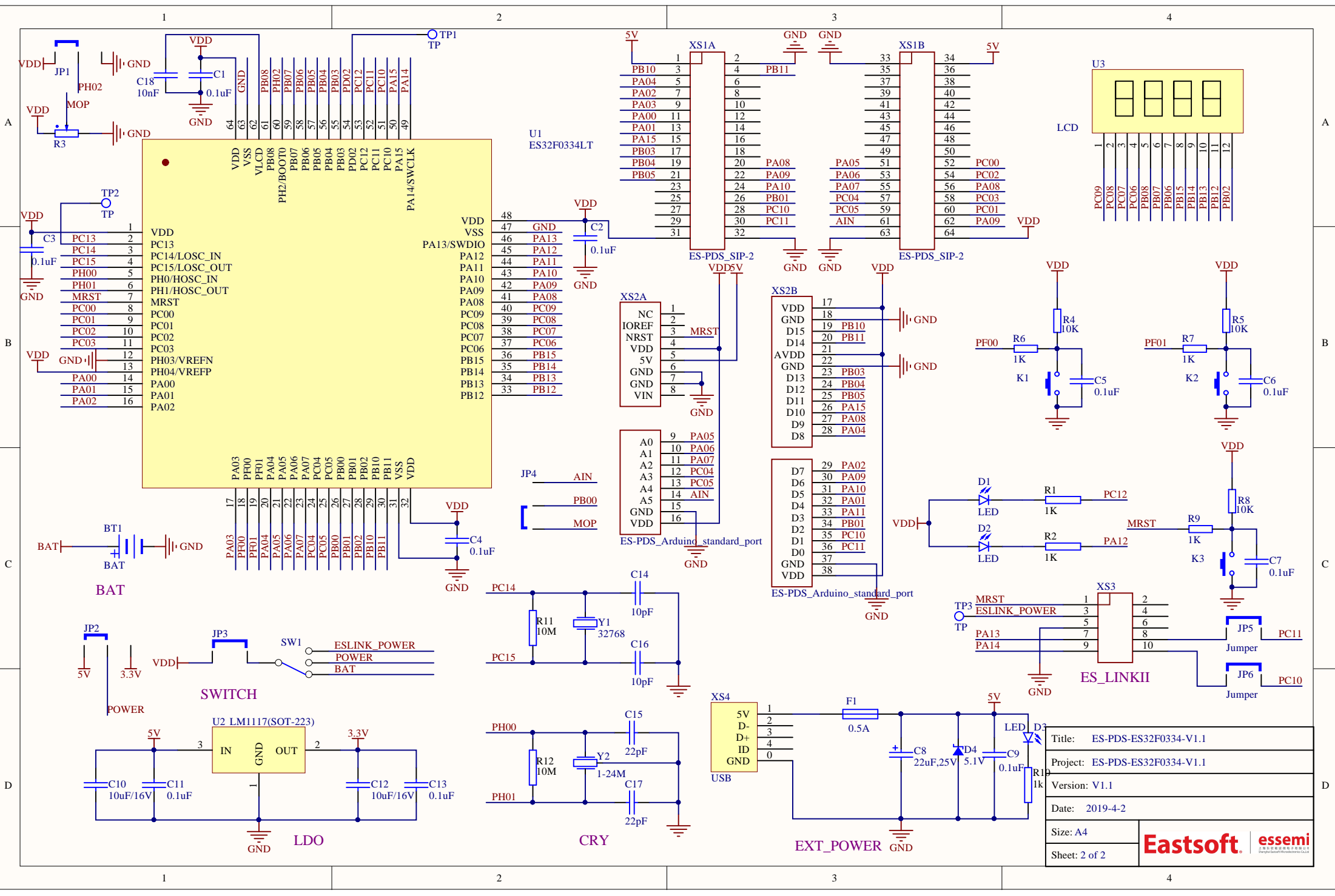
Revision History

V1.0	2019-1-10	First Edition
V1.1	2019-4-2	Adding the RX and TX jumpers

U_ES-PDS-ES32F0334-V1
ES-PDS-ES32F0334-V1.1.SchDoc



Title: PROJECTOVERVIEW	
Project: ES-PDS-ES32F0334-V1.1	
Version: V1.1	
Date: 2019-4-2	
Size: A4	Eastsoft. essemi <small>ESSEMICONDUCTOR CO., LTD.</small>
Sheet: 1 of 2	



Title: ES-PDS-ES32F0334-V1.1	
Project: ES-PDS-ES32F0334-V1.1	
Version: V1.1	
Date: 2019-4-2	
Size: A4	
Sheet: 2 of 2	